

LOCATION MAP

# Gallagher Shallow Aquifer Recharge Project Walla Walla Basin Watershed Council

## INDEX OF DRAWINGS

<u>SHEET NO.</u>	<u>TITLE</u>
1	Cover Sheet & Location Map
2	Plan View
3	Details 1
4	Details 2
5	Details 3

### GENERAL NOTES

1. The attached Material and Installation Specifications are part of this plan and shall govern the installation of this project.
2. This installation shall be constructed to the lines and grades as shown on the drawings and detailed in the construction specifications.
3. Construction activities shall be performed in a manner that minimizes soil, water, and air pollution.
4. Construction activities will be conducted in a manner consistent with all safety regulations for work activities necessary for this installation.
5. No representation is made of any utilities, public or private. Absence of utilities on these drawings does not assure that no utilities are present. If buried utilities are shown, the location and depth are approximate. The exact location and depth of any utility must be determined by the utility company prior to any excavation.
6. Contractor is responsible for acquiring and complying with all permits.

### UTILITIES

Oregon State Law requires Owners and Operators to notify utilities two business days before construction begins to have underground utilities located. To comply with the law call the Utilities Underground Location Center at: 1-800-332-2344

### Review and Acceptance

I have reviewed the Drawings and Construction specifications provided and find them to be acceptable for installation. I also acknowledge that any modifications shall be approved by the Engineer prior to installation. I also acknowledge that I have received a copy of this plan.

\_\_\_\_\_  
Owner

\_\_\_\_\_  
Date

Cover Sheet

Lance Horning  
Engineering

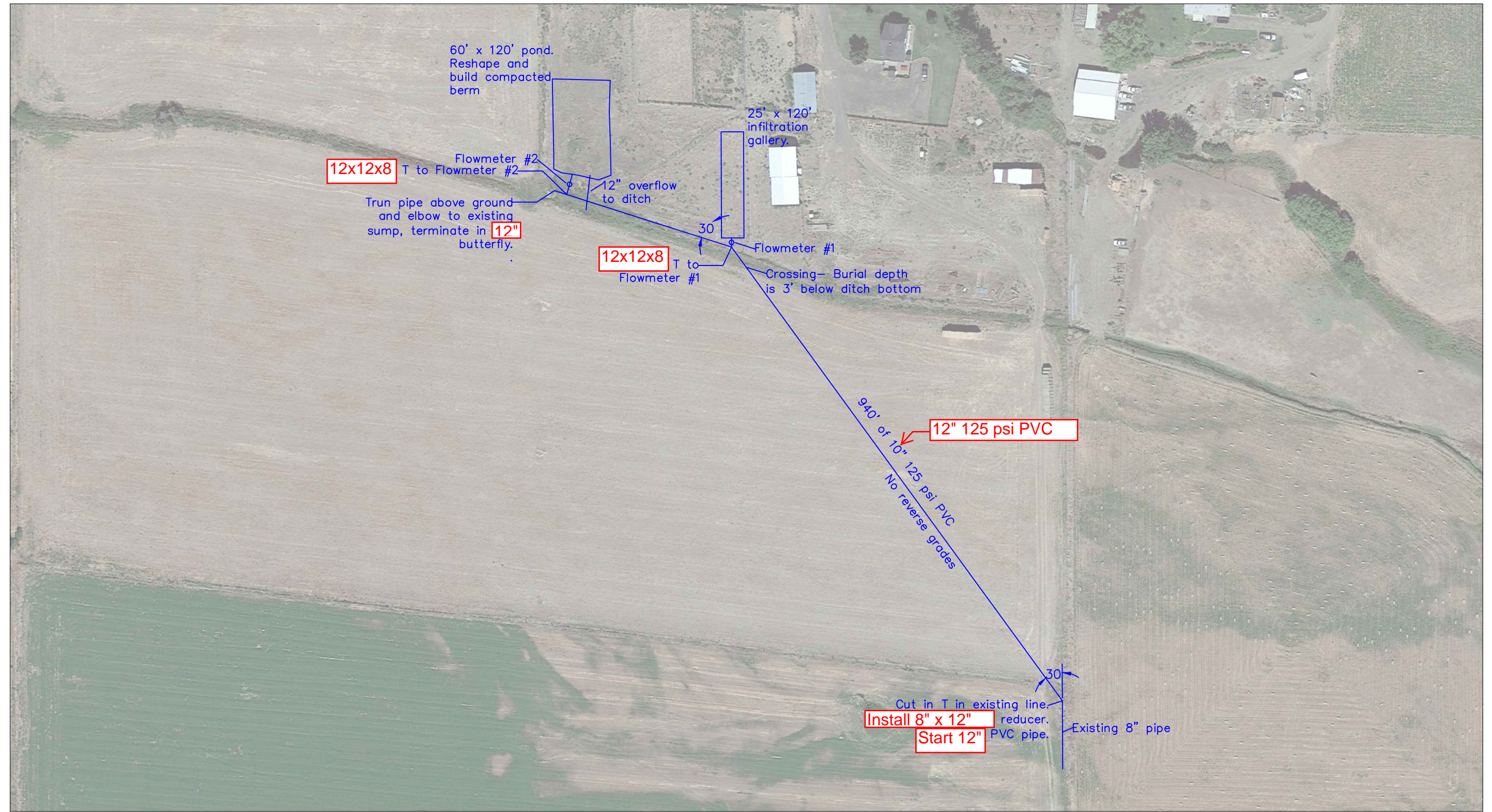
DESIGNED BY: LH  
 DRAWN BY: LH  
 CHECKED BY: LH  
 APPROVED BY: LH  
 REVISED BY: \_\_\_\_\_  
 SCALE: NTS  
 DATE: 7/12/17  
 REVISED DATE: \_\_\_\_\_

Gallagher Shallow Aquifer Recharge Project  
Walla Walla Basin Watershed Council  
Milton Freewater, OR

SIGNATURE: \_\_\_\_\_

SHEET: 1  
SHEET NO. 1 OF 5





Plan View

Lance Horning  
Engineering

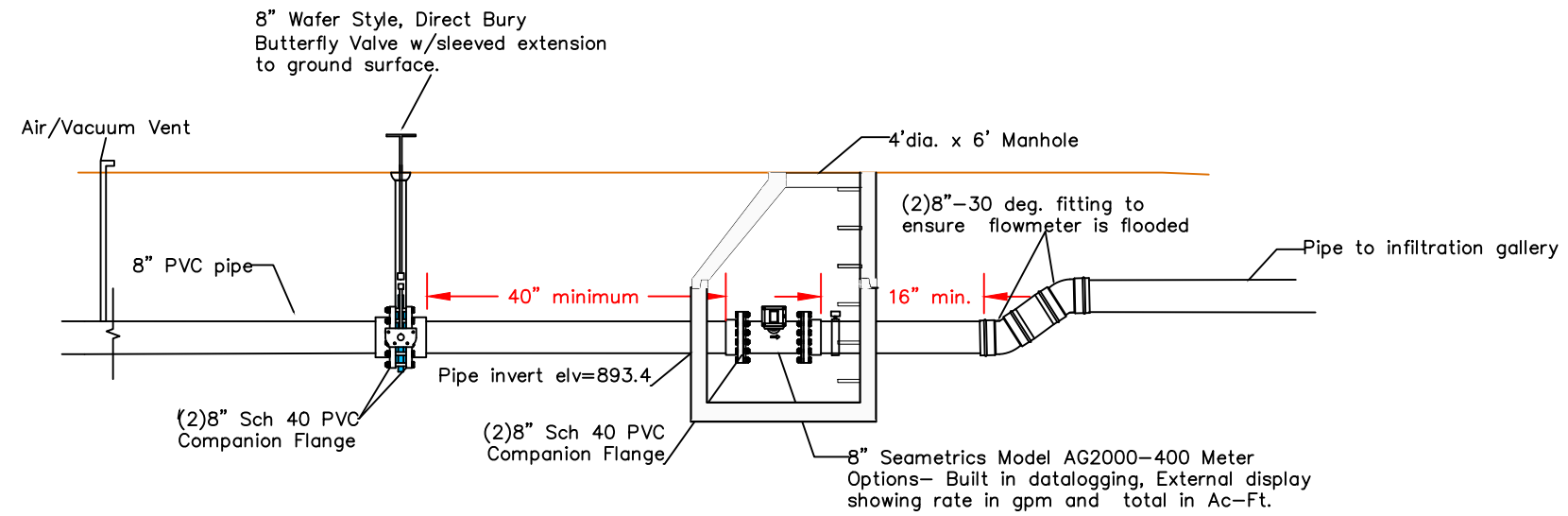
DESIGNED BY: LH  
 DRAWN BY: LH  
 CHECKED BY: LH  
 APPROVED BY: LH  
 REVISED BY:  
 SCALE: NTS  
 DATE: 7/12/17  
 REVISED DATE:

Gallagher Shallow Aquifer Recharge Project  
 Walla Walla Basin Watershed Council  
 Milton Freewater, OR

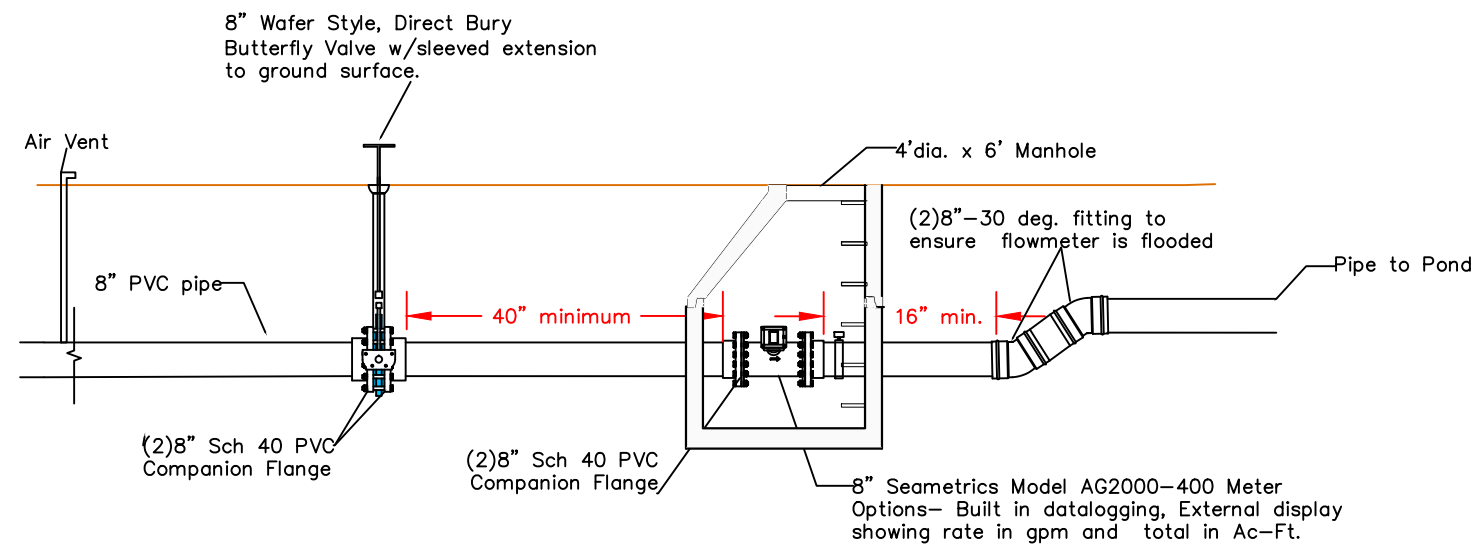
SIGNATURE: \_\_\_\_\_

SHEET: 2  
 SHEET NO. 2 OF 5





Flowmeter #1



Flowmeter #2

Details 1


Lance Horning  
Engineering

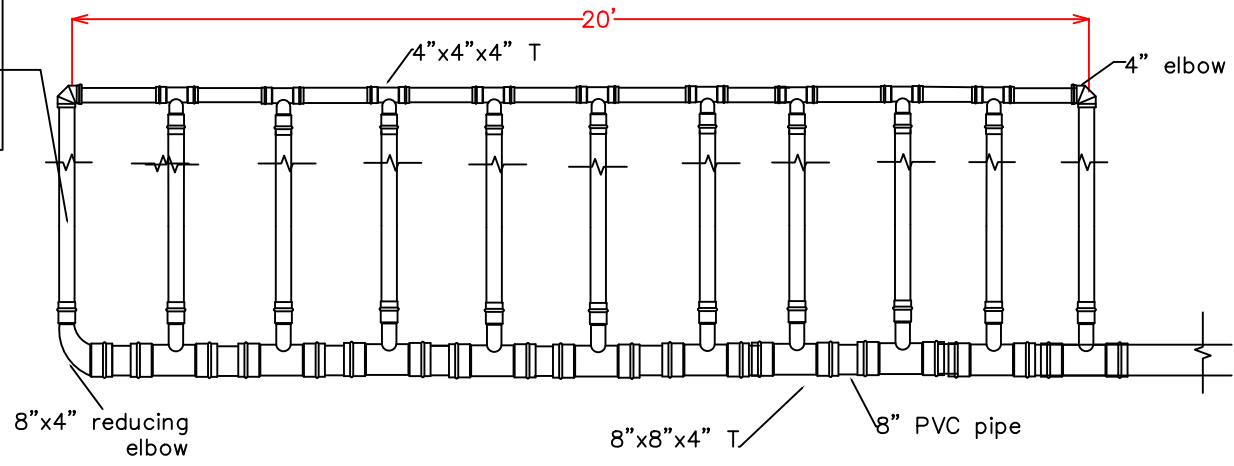
DESIGNED BY: LH  
DRAWN BY: LH  
CHECKED BY: LH  
APPROVED BY: LH  
REVISED BY:  
SCALE: NTS  
DATE: 7/12/17  
REVISED DATE:

Gallagher Shallow Aquifer Recharge Project  
Walla Walla Basin Watershed Council  
Milton Freewater, OR

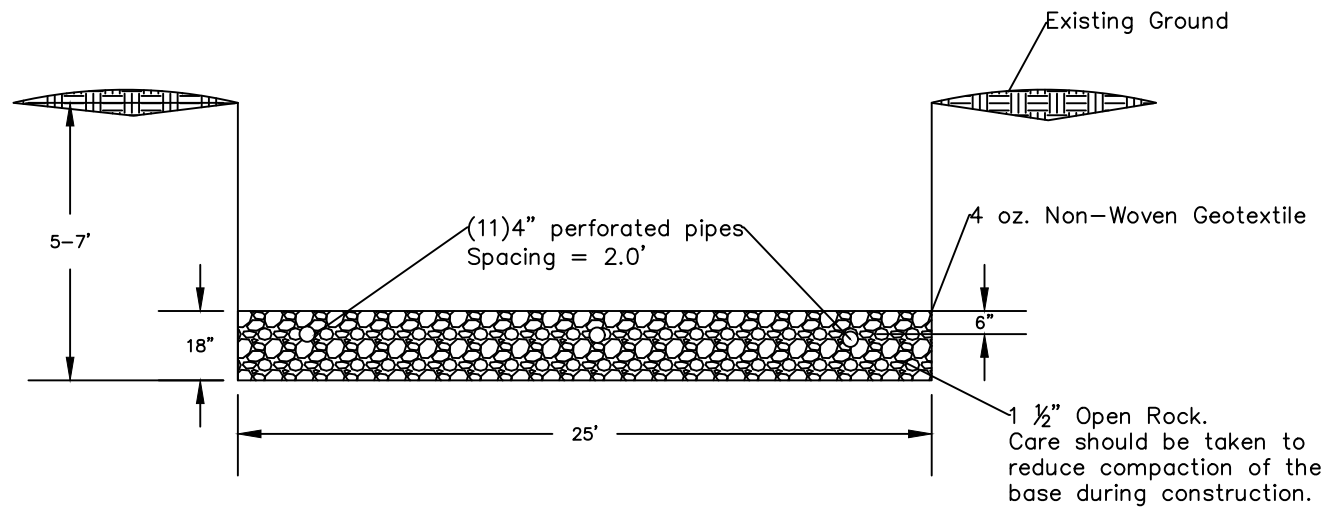
SIGNATURE: \_\_\_\_\_

SHEET: 3  
SHEET NO. 3 OF 5


 —4" SDR 35, perforated, solvent weld pvc drain pipe. Install with holes on the top. Terminate with manifold.



Infiltration Gallery Manifold



Infiltration Gallery— Section View

Details 2

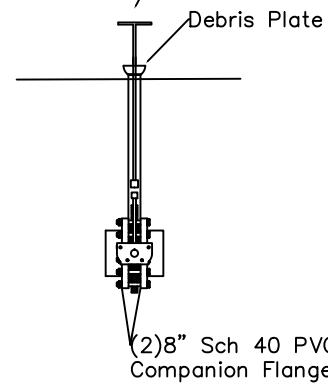
Lance Horning  
Engineering

DESIGNED BY: LH  
 DRAWN BY: LH  
 CHECKED BY: LH  
 APPROVED BY: LH  
 REVISED BY:  
 SCALE: NTS  
 DATE: 7/12/17  
 REVISED DATE:

Gallagher Shallow Aquifer Recharge Project  
 Walla Walla Basin Watershed Council  
 Milton Freewater, OR  
 SIGNATURE: \_\_\_\_\_

SHEET: 4  
 SHEET NO. 4 OF 5

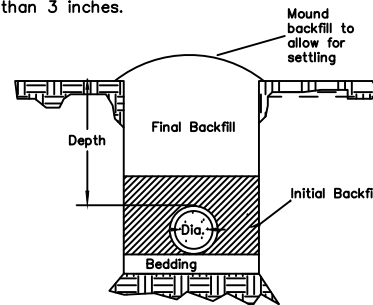
8" Wafer Style, Direct Bury  
Butterfly Valve w/sleeved extension  
to ground surface.



Butterfly Valve

Construction Notes

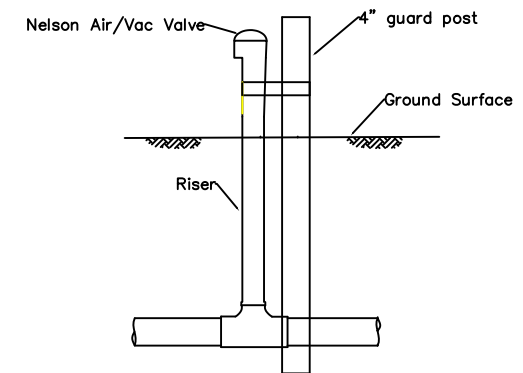
- 1) Bedding shall be used on foundations containing materials larger than  $\frac{3}{4}$ " inch.
- 2) The initial backfill material shall consist of soil or granular material that is free from rocks greater than  $\frac{3}{4}$ " in diameter.
- 3) The final backfill shall be free from material larger than 3 inches.



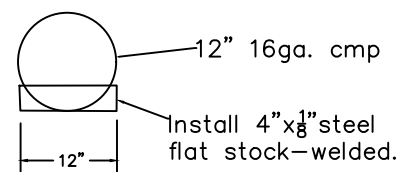
Pipe Specifications:  
Diameter (Dia.) = 8" PVC  
Min. Pressure Rating 80 psi  
Minimum Burial = 3'

Drawing is not to Scale.

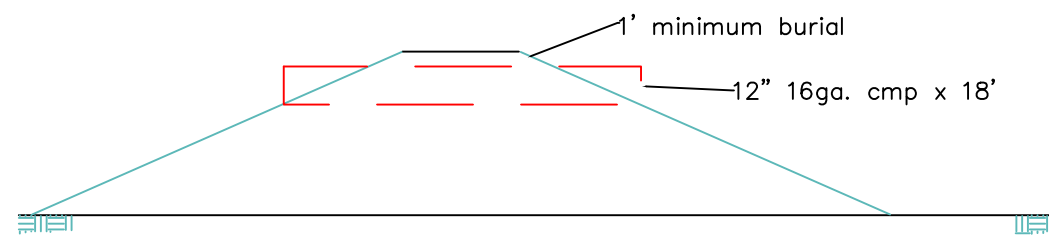
Trench Detail



Air Vent



Overflow Culvert with Weir



Overflow- Section View

Details 3

Lance Horning  
Engineering

DESIGNED BY: LH  
DRAWN BY: LH  
CHECKED BY: LH  
APPROVED BY: LH  
REVISED BY:  
SCALE: NTS  
DATE: 7/12/17  
REVISED DATE:

Gallagher Shallow Aquifer Recharge Project  
Walla Walla Basin Watershed Council  
Milton Freewater, OR

SIGNATURE: \_\_\_\_\_

SHEET: 5  
SHEET NO. 5 OF 5